



"Technologies for Green Energy"

Product Catalog

Flyback Transformers

Edition: F-2021

www.lithentic.com

+91-80-4120-4236

support@lithentic.com



1 About Lithentic Technologies:

We are manufacturer and service provider of magnetic components like transformers and inductors. Our strong focus is to manufacture & supply energy efficient modern products in diversified application areas. Following the current trend of miniaturization in magnetic devices with ever increasing efficiency demand, our design team is always committed to produce international standard products within local reach and affordability.

As a team, we are a blend of immense experience and agility in technical and commercial field. As a young company, we are flexible, innovative and free of overhead. Our customer first policy is targeted to resolve all your challenges firsthand and always be with you as trusted friend, forever...

We value the human centric approach in all our employee and customer relations.

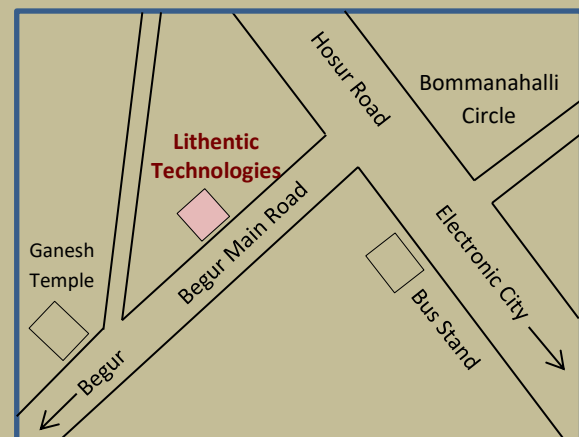
Office Address:

Lithentic Technologies (OPC) Private Limited
No.73/3, 1st Floor, Begur Main Road,
Bommanahalli, (Near Bommanahalli Circle)
Bengaluru, Karnataka, India. Pin: 560068

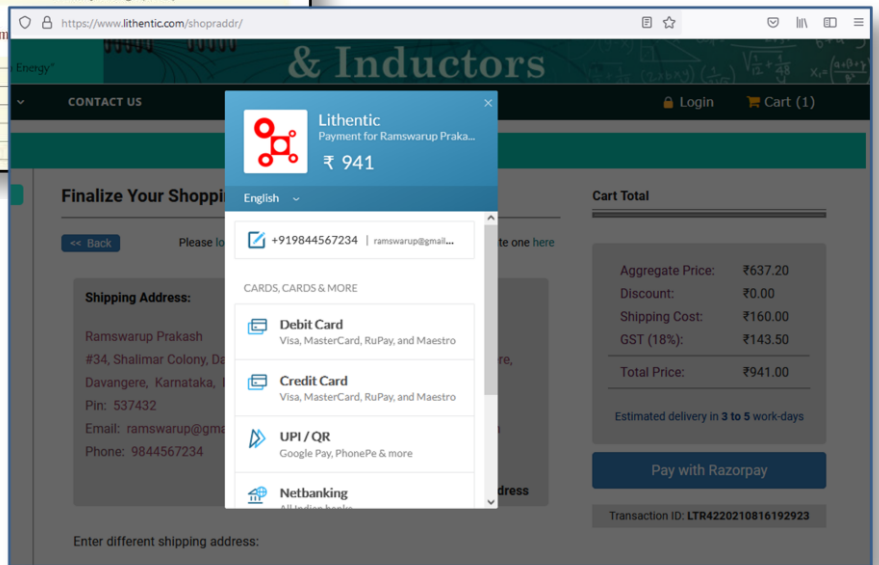
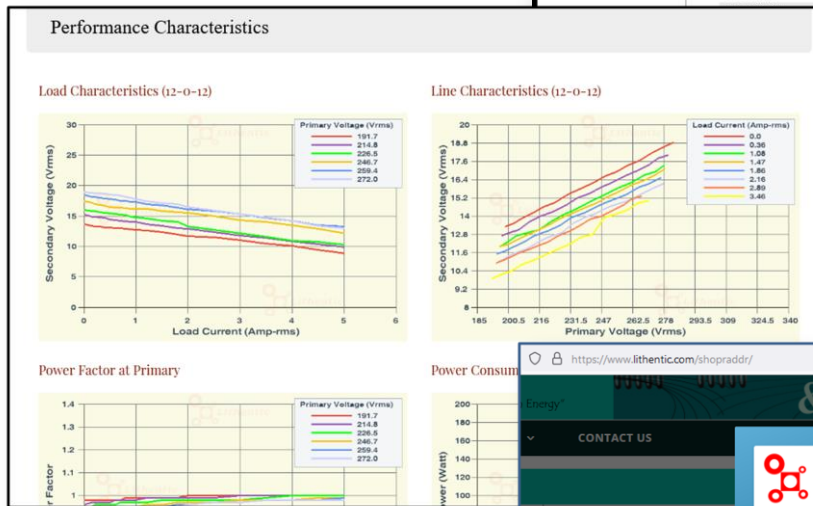
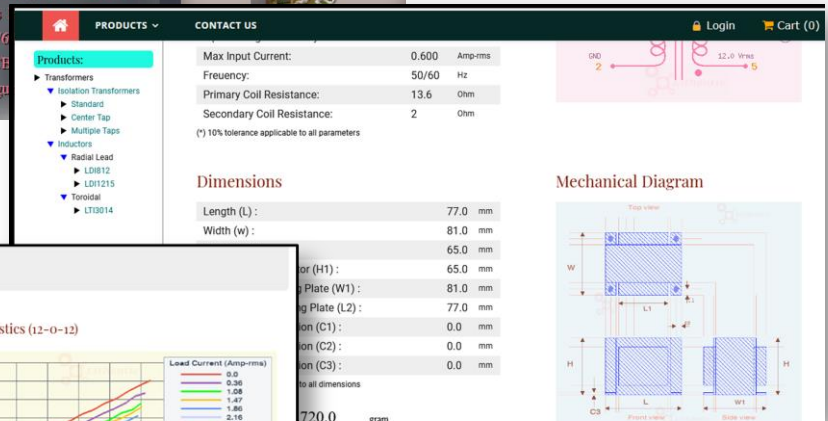
Phone: +91-80-4120-4236

Email: support@lithentic.com

Website: www.lithentic.com



Get product datasheet and order online. Chat with us!! Our technical and sales team is ready to answer your questions. Visit our website www.lithentic.com.



2 Flyback Transformers

Off The Shelf Flyback Transformers listed below can be shipped immediately. Order online and we shall ship them within 2 days through our courier partner.

2.1 Single Secondary

Single Secondary Flyback Transformers

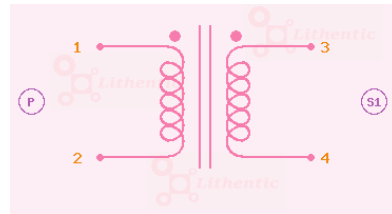
Product Series: LFS100

Features:

- Low cost
- Unshielded design
- Copper winding
- Improved Q and SRF values
- Reduced DC Resistance



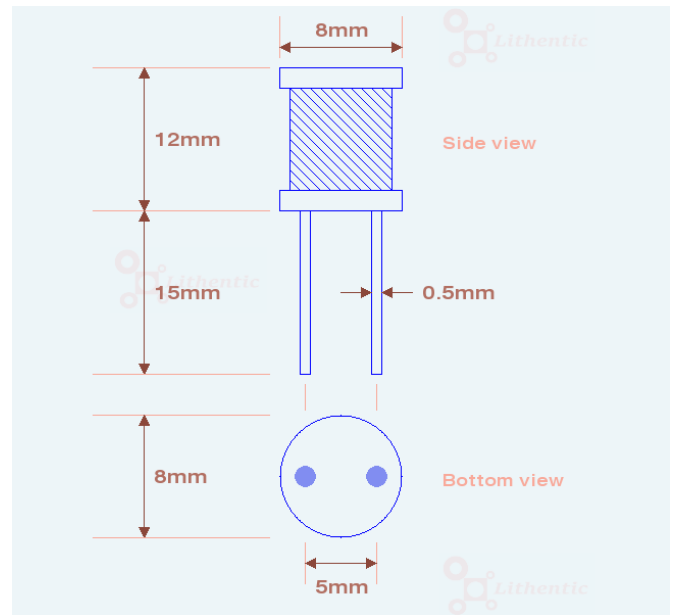
Schematic:



Applications:

Power Supply, lighting, DC-DC converters, computer SMPS, mother-board, computer peripherals, TVs, home electric equipment, etc.

Dimensions :



Part Number	Inductance (μH)	Tolerance (%)	Test Frequency (KHz)	Min Q	Min SRF (MHz)	Max DCR (Ω)	Rated Current (Amp)	Weight (gram)
LDI812-100 ↗	10	20	10	18.75	8.394	0.040	5.140	3
LDI812-120 ↗	12	20	10	58.30	8.029	0.050	4.560	3
LDI812-150 ↗	15	20	10	81.30	7.289	0.080	3.760	3
LDI812-180 ↗	18	20	10	116.80	6.518	0.080	3.420	3
LDI812-220 ↗	22	20	10	157.10	5.894	0.080	3.280	3
LDI812-270 ↗	27	20	10	122.30	5.485	0.070	3.000	3
LDI812-330 ↗	33	20	10	55.70	4.997	0.080	2.940	3
LDI812-470 ↗	47	20	10	47.90	4.229	0.110	2.400	3
LDI812-560 ↗	56	20	10	44.70	3.847	0.130	2.400	3
LDI812-680 ↗	68	20	10	41.30	3.486	0.140	2.050	3
LDI812-820 ↗	82	20	10	29.70	2.916	0.160	1.560	3

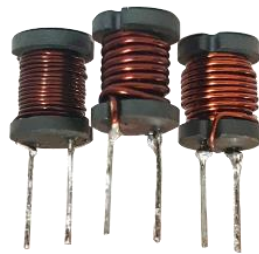
LDI812-101	100	20	10	30.30	2.701	0.190	1.530	3
LDI812-121	120	20	10	31.80	2.462	0.200	1.470	3
LDI812-151	150	20	10	27.20	2.216	0.250	1.410	3
LDI812-181	180	20	10	21.70	1.927	0.400	1.140	3
LDI812-221	220	20	10	20.50	1.759	0.470	1.140	3
LDI812-271	270	20	10	21.80	1.654	0.500	0.911	3
LDI812-331	330	20	10	23.30	1.477	0.560	0.853	3
LDI812-471	470	20	10	23.60	1.204	0.720	0.554	3
LDI812-561	560	20	10	21.10	1.017	1.100	0.528	3
LDI812-681	680	20	10	19.73	0.989	1.160	0.500	3
LDI812-821	820	20	10	23.20	0.923	1.310	0.368	3
LDI812-102	1,000	20	10	23.30	0.858	1.440	0.368	3

Through Hole Inductors – 12mm x 15mm

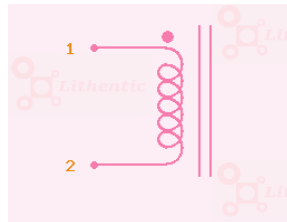
Product Series: LDI215

Features:

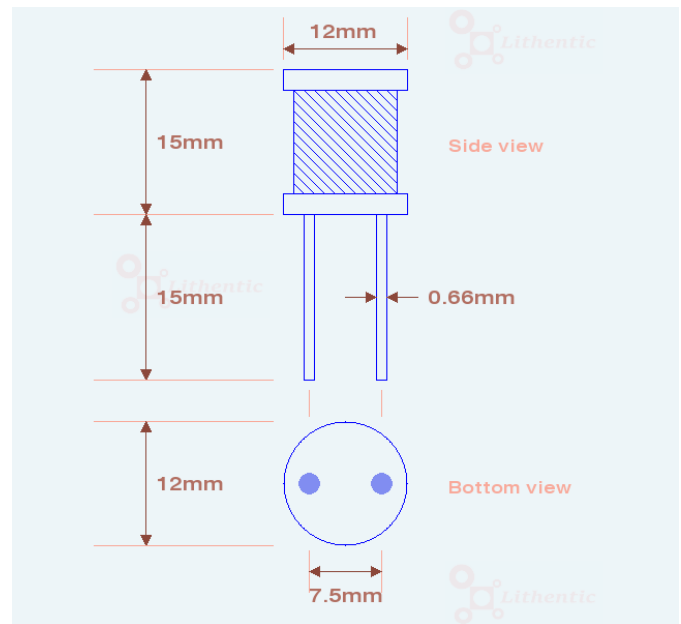
- Low cost
- Unshielded design
- Copper winding
- Improved Q and SRF values
- Reduced DC Resistance



Schematic:



Dimensions :



Applications:

Power Supply, lighting, DC-DC converters, computer SMPS, mother-board, computer peripherals, TVs, home electric equipment, etc.

Part Number	Inductance (μH)	Tolerance (%)	Test Frequency (KHz)	Min Q	Min SRF (MHz)	Max DCR (Ω)	Rated Current (Amp)	Weight (gram)
LDI1215-100	10	10	10	14.78	7.858	0.050	7.530	6
LDI1215-120	12	10	10	22.50	7.589	0.050	7.300	6
LDI1215-150	15	10	10	35.40	6.156	0.050	6.710	6
LDI1215-180	18	10	10	55.30	6.156	0.050	6.300	6
LDI1215-220	22	10	10	64.20	5.832	0.050	6.110	6

LDI1215-270	27	10	10	85.10	5.540	0.050	5.940	6
LDI1215-330	33	10	10	438.00	4.522	0.050	5.590	6
LDI1215-470	47	10	1	21.70	3.957	0.070	5.470	6
LDI1215-560	56	10	1	23.90	3.574	0.080	5.110	6
LDI1215-680	68	10	1	16.60	3.358	0.110	4.940	6
LDI1215-820	82	10	1	14.89	2.995	0.120	4.780	6
LDI1215-101	100	10	1	14.27	2.518	0.160	4.470	6
LDI1215-121	120	10	1	12.70	2.409	0.160	4.280	6
LDI1215-151	150	10	1	11.68	1.979	0.170	4.050	6
LDI1215-181	180	10	1	11.67	1.847	0.190	4.000	6
LDI1215-221	220	10	1	11.92	1.731	0.200	3.710	6
LDI1215-271	270	10	1	10.88	1.497	0.220	3.620	6
LDI1215-331	330	10	1	11.49	1.497	0.270	3.280	6
LDI1215-471	470	10	1	9.17	1.154	0.420	1.160	6
LDI1215-561	560	10	1	9.63	1.045	0.430	1.070	6
LDI1215-681	680	10	1	9.61	0.989	0.460	1.040	6
LDI1215-821	820	10	1	9.72	0.893	0.560	0.839	6
LDI1215-102	1,000	10	1	6.42	0.797	1.020	0.765	6

2.2 Toroidal Inductors

Toroidal Power Inductors – 30mm x 14mm

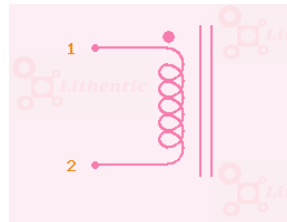
Product Series: LTI3014

Features:

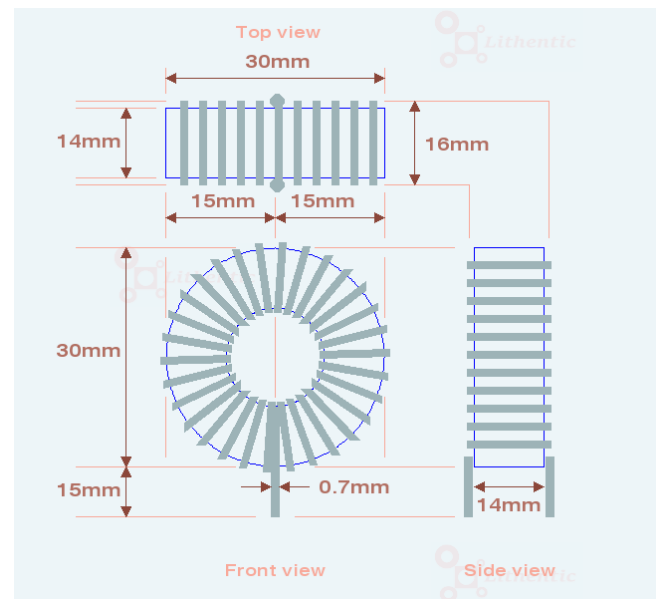
- Low cost
- Unshielded design
- Copper winding
- Improved Q and SRF values
- Reduced DC Resistance



Schematic:



Dimensions :



Part Number	Inductance (μH)	Tolerance(%)	Test Frequency (KHz)	Min Q	Min SRF (MHz)	Max DCR (Ω)	Rated Current (Amp)	Weight (gram)
LTI3014-101	100	20	10	26.20	3.078	0.050	6.000	40

LTI3014-121 ↗	120	20	10	148.90	2.841	0.080	6.000	36
LTI3014-151 ↗	150	20	10	121.60	3.408	0.090	6.000	36
LTI3014-181 ↗	180	20	10	124.10	2.409	0.110	6.000	37
LTI3014-221 ↗	220	20	10	109.30	2.216	0.120	6.000	37
LTI3014-271 ↗	270	20	10	72.50	1.878	0.200	6.000	34
LTI3014-331 ↗	330	20	10	68.70	1.629	0.210	6.000	34
LTI3014-471 ↗	470	20	10	64.90	1.458	0.250	6.000	34
LTI3014-561 ↗	560	20	10	66.10	1.166	0.310	6.000	35
LTI3014-681 ↗	680	20	10	67.40	0.923	0.300	6.000	36
LTI3014-821 ↗	820	20	10	67.70	0.738	0.360	6.000	36
LTI3014-102 ↗	1,000	20	10	68.10	0.626	0.380	6.000	36
LTI3014-122 ↗	1,200	20	10	64.90	0.598	0.410	6.000	38
LTI3014-152 ↗	1,500	20	10	62.10	0.501	0.470	6.000	38
LTI3014-182 ↗	1,800	20	10	60.80	0.418	0.610	6.000	38
LTI3014-222 ↗	2,200	20	10	61.90	0.375	0.640	6.000	38
LTI3014-272 ↗	2,700	20	10	56.80	0.333	1.170	6.000	36
LTI3014-332 ↗	3,300	20	10	55.50	0.271	1.170	6.000	37
LTI3014-472 ↗	4,700	20	10	57.70	0.219	1.390	6.000	38
LTI3014-562 ↗	5,600	20	10	61.30	0.196	1.520	6.000	38
LTI3014-682 ↗	6,800	20	10	67.20	0.189	1.690	6.000	40

2.3 Shielded Inductors

Shielded Power Inductors – 30mm x 19mm

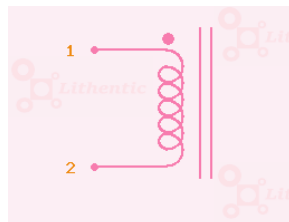
Product Series: LTI3014

Features:

- Low cost
- Shielded design
- Copper winding
- Improved Q and SRF values
- Reduced DC Resistance



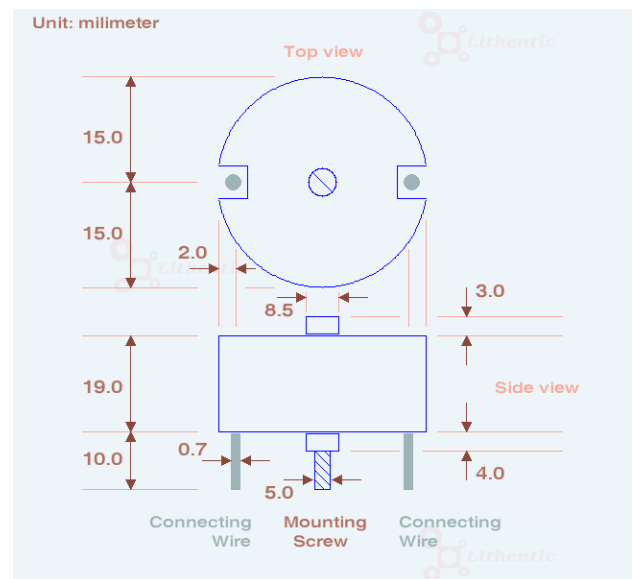
Schematic:



Applications:

Power Supply, lighting, DC-DC converters, computer SMPS, mother-board, computer peripherals, TVs, home electric equipment, etc.

Dimensions :



Part Number	Inductance (μH)	Tolerance(%)	Test Frequency (KHz)	Min Q	Min SRF (MHz)	Max DCR (Ω)	Rated Current (Amp)	Weight (gram)
LPI3019-102 ↗	1,000	10	10	120.70	0.852	0.030	6.000	40
LPI3019-122 ↗	1,200	10	10	138.50	0.749	0.040	6.000	40
LPI3019-152 ↗	1,500	10	10	131.50	0.693	0.040	6.000	40
LPI3019-182 ↗	1,800	10	10	131.50	0.609	0.040	6.000	40
LPI3019-222 ↗	2,200	10	10	124.30	0.565	0.050	6.000	42
LPI3019-272 ↗	2,700	10	10	119.50	0.543	0.040	6.000	43
LPI3019-332 ↗	3,300	10	10	113.60	0.403	0.030	6.000	43
LPI3019-472 ↗	4,700	10	10	92.20	0.346	0.080	6.000	41
LPI3019-562 ↗	5,600	10	10	86.70	0.292	0.090	6.000	41
LPI3019-682 ↗	6,800	10	10	170.50	0.244	0.110	6.000	42
LPI3019-822 ↗	8,200	10	10	164.10	0.241	0.170	6.000	41
LPI3019-103 ↗	10,000	10	10	169.60	0.217	0.140	6.000	43
LPI3019-123 ↗	12,000	10	10	166.80	0.207	0.110	6.000	44
LPI3019-153 ↗	15,000	10	10	172.70	0.270	0.140	6.000	45
LPI3019-183 ↗	18,000	10	10	193.30	0.183	0.160	6.000	46
LPI3019-223 ↗	22,000	10	10	184.40	0.168	0.200	6.000	47
LPI3019-273 ↗	27,000	10	10	193.70	0.157	0.340	6.000	42
LPI3019-333 ↗	33,000	10	10	190.60	0.109	0.410	6.000	43
LPI3019-473 ↗	47,000	10	10	188.60	0.652	0.460	6.000	43
LPI3019-563 ↗	56,000	10	10	155.60	0.616	0.480	6.000	44
LPI3019-683 ↗	68,000	10	10	153.40	0.543	0.520	6.000	45
LPI3019-823 ↗	82,000	10	10	148.60	0.490	0.960	6.000	41
LPI3019-104 ↗	100,000	10	10	123.60	0.430	1.060	6.000	41

3 Custom Magnetics Design

We offer custom magnetics design services. In fact, 83% of our magnetics business involves the custom designs of Inductors with current rating, inductance or frequency of operation. We also manufacture laminated core and ferrite core transformers; please refer to respective catalogs in our website. Our team of experienced engineers and technicians are well equipped with sophisticated computer aided design techniques. We work to optimize designs for our customer's unique requirements like size, cost, electrical performance or reliability. Bring us your requirements and we'll work with you from prototype through production to turn your concept into a reality.

Our customized inductors can be designed to a wide range of specifications, such as:

- ❖ **Current ratings** from 0.010 Amps to 100 Amps, both AC & DC
- ❖ **Frequency ratings** from 20 Hz to 1 MHz
- ❖ **Insulation system ratings of 80–220° C**
- ❖ **Core materials** including CRGO, CRNGO laminated steel, Ferrite, Iron powder, Sendust, amorphous alloys etc.
- ❖ **Core shapes** such as EE, EI, EP, ER, Drum, Pot Core, toroidal to name few
- ❖ **Low and high-frequency switch-mode inductors**
- ❖ **Conductor materials** such as copper or aluminum magnetic wire, litz wire and copper or aluminum foil

We offer custom design services for wide array of Inductor applications, including:

- ❖ Audio applications
- ❖ Buck-boost circuits
- ❖ Control applications
- ❖ High current applications
- ❖ Automotive applications
- ❖ Electric vehicle applications
- ❖ Common or differential mode
- ❖ Current limiting
- ❖ DC filter
- ❖ DC Switching
- ❖ Inverter applications
- ❖ Resonance circuits
- ❖ Medical applications
- ❖ Switch mode circuits
- ❖ Renewable energy applications
- ❖ Household equipment
- ❖ Robotics applications
- ❖ Grounding
- ❖ Harmonic filter
- ❖ EMC shielding